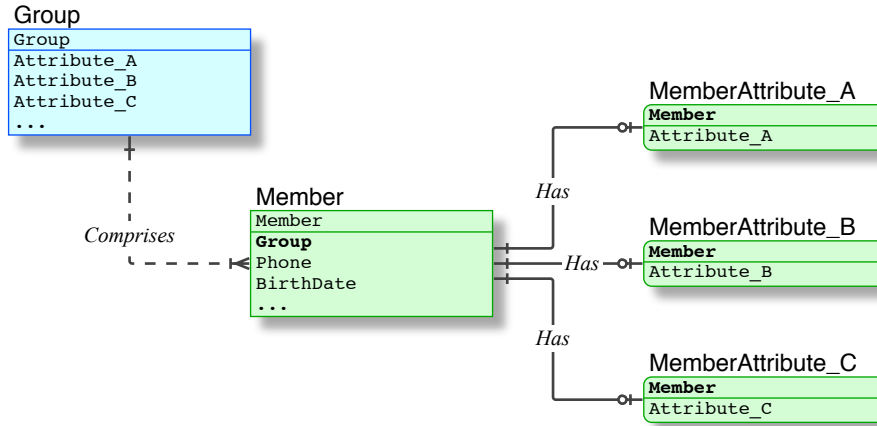



# Group vs Member Attribute



**Entity Type**

- Reference
- Identifying/Major
- Identifying
- Transaction
- TransactionDetail
- History, Audit

 IDEFIX Notation



This page is required, for the single purpose of overcoming a document production bug.